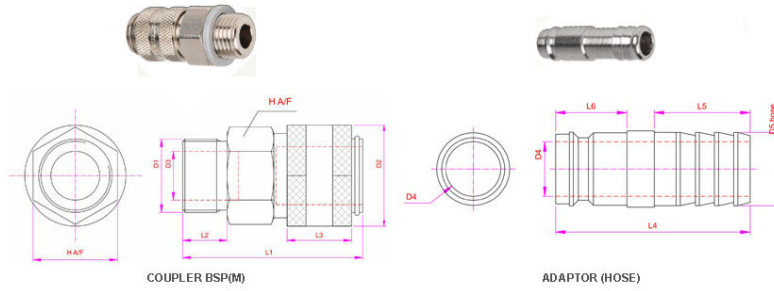


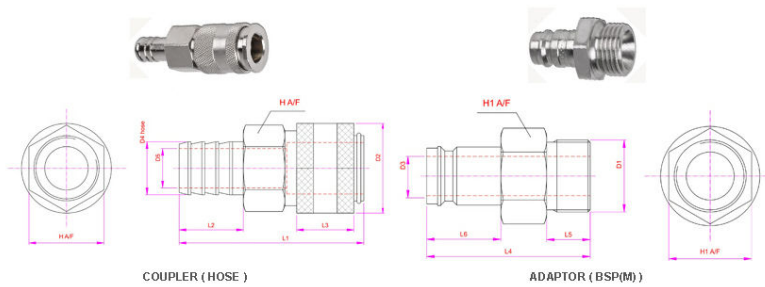
Single Check Valve Quick Release Coupling

Dimensions and Weight Table



QRC (S.C) 1/8" TO 1 1/2" (BSP (M) x HOSE)

QRC SIZE (D1)	D2	D3	D4	D5	L1	L2	L3	L4	L5	L6	H A/F	
1/8" BSP(M)	17.0	4.5	3.5	6.5	40.0	8.0	16.0	41.0	21.5	14.0	14 A/F	
1/4" BSP(M)	22.0	6.5	5.5	8.0	53.0	11.0	19.0	46.0	25.0	16.5	19 A/F	
3/8" BSP(M)	22.0	8.0	6.0	10.0	53.0	11.0	19.0	46.0	25.0	16.5	19 A/F	
1/2" BSP(M)	32.0	13.0	11.0	13.0	69.0	14.5	25.0	58.0	29.0	21.0	28 A/F	
3/4" BSP(M)	38.0	17.0	15.0	20.0	77.0	17.0	28.0	67.0	34.0	26.0	32 A/F	
1" BSP(M)	45.0	22.0	20.0	27.0	81.0	20.0	29.0	72.0	35.0	26.0	38 A/F	
1 1/4" BSP(M)	48.0	30.0	22.0	34.0	88.0	22.0	27.0	85.0	50.0	25.0	46 A/F	
1 1/2" BSP(M)	60.0	35.0	28.0	40.0	104.0	28.0	32.0	101.0	53.0	34.0	55 A/F	
QRC SIZE (D1)	D2	D3	D4	D5	D6	L1	L2	L3	L4	L5	L6	H
2" BSP(F)	75.0	45.0	42.0	54.0	75.0	116.0	26.0	33.0	102.0	65.0	30.0	72.0

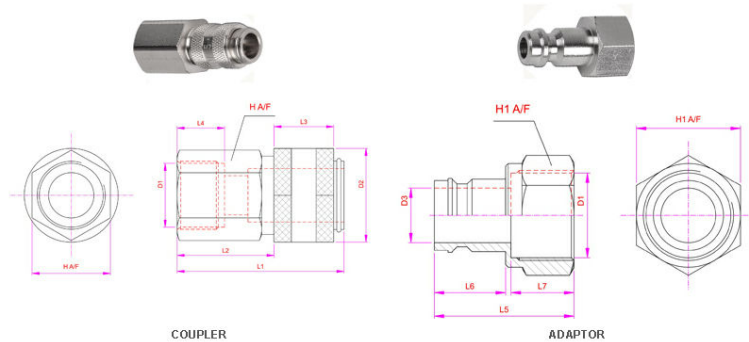


QRC (S.C) 1/8" TO 1/2" (HOSE x BSP (M))

QRC SIZE (D1)	D2	D3	D4	D5	L1	L2	L3	L4	L5	L6	H A/F	H1 A/F
1/8" BSP(M)	17.0	5.0	6.5	4.0	54.0	20.0	16.0	29.0	8.0	14.0	14 A/F	14.0 A/F
1/4" BSP(M)	22.0	6.5	8.0	5.0	66.0	25.0	19.0	33.0	11.0	16.5	19 A/F	19.0 A/F
3/8" BSP(M)	22.0	6.0	10.0	6.0	67.0	25.0	19.0	35.0	12.0	16.5	19 A/F	22.0 A/F
1/2" BSP(M)	32.0	11.0	13.0	9.0	84.0	30.0	25.0	43.0	14.5	22.0	28 A/F	28.0 A/F

QRC (S.C) 3/4" TO 2" (HOSE x BSP (M))

QRC SIZE (D1)	D2	D3	D4	D5	L1	L2	L3	L4	L5	L6	H1 A/F
3/4" BSP(M)	38.0	20.0	15.0	15.0	97.0	36.0	29.0	50.0	17.0	25.0	28 A/F
1" BSP(M)	45.0	27.0	19.0	19.0	102.0	40.0	29.0	51.0	17.0	25.0	36 A/F
1 1/4" BSP(M)	48.0	34.0	25.0	25.0	115.0	40.0	27.0	55.0	20.0	25.0	45 A/F
1 1/2" BSP(M)	60.0	40.0	28.0	28.0	129.0	53.0	32.0	71.0	25.0	34.0	50 A/F
2" BSP(M)	75.0	54.0	43.0	42.0	154.0	65.0	33.0	67.0	25.0	30.0	60 A/F



QRC (S.C) 1/8" TO 1 1/2" (BSP (F) x BSP (F))

QRC SIZE (D1)	D2	D3	L1	L2	L3	L4	L5	L6	L7	H A/F	H1 A/F
1/4" BSP(F) x BSP(F)	17.0	4.5	40.0	19.0	16.0	10.0	28.0	14.0	10.0	14 A/F	14 A/F
1/4" BSP(F) x BSP(F)	22.0	6.5	56.0	34.0	19.0	12.0	33.0	36.0	12.0	19 A/F	16 A/F
3/8" BSP(F) x BSP(F)	22.0	6.0	54.0	32.0	19.0	12.0	33.0	40.0	12.0	19 A/F	19 A/F
1/2" BSP(F) x BSP(F)	32.0	11.0	68.0	40.0	25.0	14.0	42.0	22.0	14.0	28 A/F	25 A/F
3/4" BSP(F) x BSP(F)	38.0	15.0	78.0	45.0	28.0	19.0	49.0	25.0	19.0	32 A/F	32 A/F
1" BSP(F) x BSP(F)	45.0	19.0	82.0	47.0	29.0	23.0	50.0	25.0	23.0	38 A/F	38 A/F
1 1/4" BSP(F) x BSP(F)	48.0	22.0	88.0	54.0	27.0	23.0	52.0	25.0	23.0	46 A/F	46 A/F
1 1/2" BSP(F) x BSP(F)	60.0	28.0	104.0	66.0	32.0	25.0	64.0	34.0	25.0	55 A/F	55 A/F

QRC (S.C) 2" (BSP (F) x BSP (F))

QRC SIZE (D1)	D2	D3	D4	L1	L2	L3	L4	L5	L6	L7	H1
2" BSP(F) x BSP(F)	75.0	75.0	42.0	115.0	77.0	33.0	28.0	62.0	30.0	28.0	65 A/F

Fluid..... Operating oil
Temperature..... 30°C ± 5°C